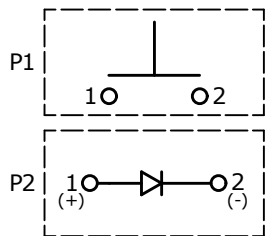
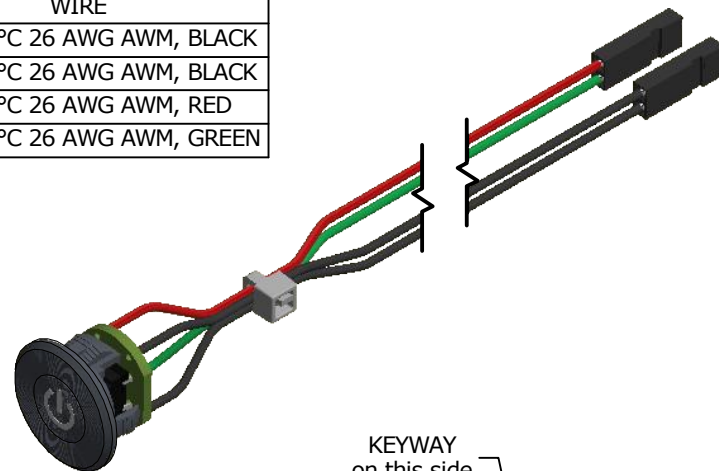


"Z"	"D"
0-0.5	16.0-16.1
0.5-2.0	16.1-16.2
2.0-2.5	16.2-16.4
2.5-3.0	16.4-16.6
3.0-3.5	16.6-16.8

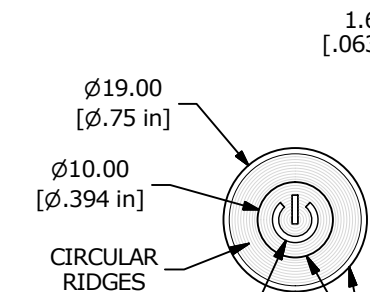


WIRE CHART			
CONNECTOR	POSITION	SWITCH	WIRE
P1	1	1	300V 105°C 26 AWG AWM, BLACK
P1	2	2	300V 105°C 26 AWG AWM, BLACK
P2	1	LED (+)	300V 105°C 26 AWG AWM, RED
P2	2	LED (-)	300V 105°C 26 AWG AWM, GREEN

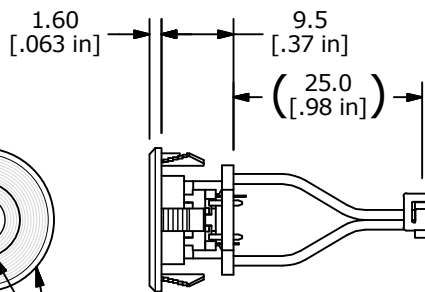
LED PARAMETER	FORWARD CURRENT	FORWARD VOLTAGE @ 20mA	LUMINOUS INTENSITY
UNITS	mA	V	mcd
WHITE	20	3.1 typ - 3.6 max.	200 typ.



▲ SCHEMATIC

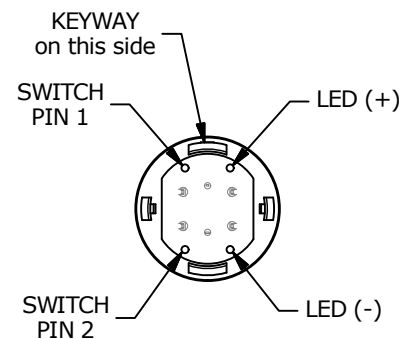


▲ POWER SYMBOL ILLUMINATION COLOR: WHITE



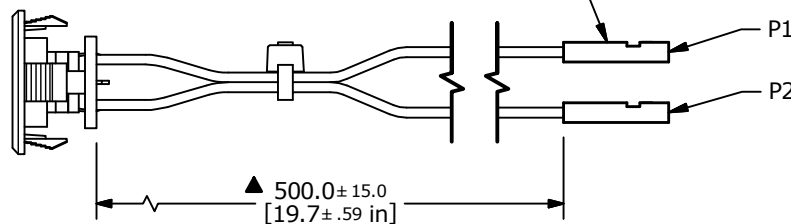
▲ HOUSING/ACTUATOR COLOR: BLACK

POSITION 1 ON CONNECTOR



BACK VIEW (WITH CONN. and WIRES NOT SHOWN)

▲ CONNECTORS - JSW A2541H-2P
▲ TERMINALS - JSW A2547T-GP



- NOTE:
1. ALL DIMENSIONS IN MM [INCH]
 2. GENERAL TOLERANCE: X.X = ±0.4
X.XX = ±0.25
 3. TERMINAL NUMBERS FOR REF ONLY
 4. CONTACT MATERIAL: SILVER
 5. RATING: 50mA @ 12 VDC
 6. CYCLE LIFE: 100,000 MAKE-AND-BREAK CYCLES
 7. INSULATION RESISTANCE: 100 MΩ MIN.
 8. DIELECTRIC STRENGTH: 250 V RMS
 9. CONTACT RESISTANCE: 100mΩ MAX.
 10. OPERATING TEMP.: -25°C to 70°C
 11. ▲ DENOTES CRITICAL PARAMETER.
 12. LED COLOR: WHITE
 13. TRAVEL: 0.25 ± 0.10mm
 14. ACTUATION FORCE: 350 ± 100gf



A	24182	NEW RELEASE	2/4/20	MW
REV	PCR NO	DESCRIPTION	DATE	BY

TITLE TL1275CB2WA500QPW (Black Housing/Actuator)				
SCALE	DATE	DR	DWG	REV
1:1	2/4/2020	MW	T012754	A